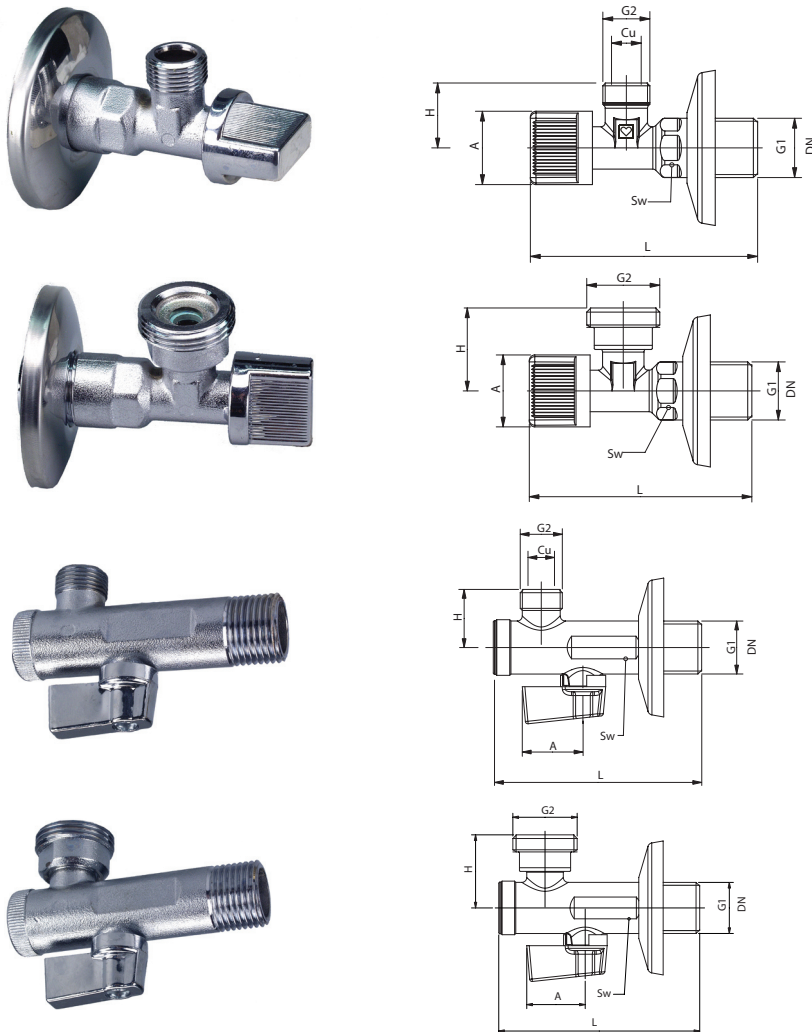


HERZ Angle valve for water

Datasheet
255x
Issue 0607



Model	Dimension	PN	DN	G1	G2-Cu	L	H	A	Sw
1 2550 01	1/2"	16	6	1/2"	3/8"-fi10	80	23	26	19
1 2251 01	1/2"	16	6	1/2"	1/2"-fi15	80	27	26	19
1 2252 01	1/2"	16	6	1/2"	3/4"	80	30	26	19
1 2553 01	1/2"	16	6	1/2"	3/8"-fi10	82	23	24	19
1 2554 01	1/2"	16	6	1/2"	3/4"	82	30	24	19

Dimensions

Body: forged brass acc. EN 12420, chrome plated
 Ball: brass
 Spindle: brass
 Handle: ABS, chrome plated
 Sealing elements: EPDM and NBR 70ShA

Construction

We reserve the right to make modifications necessitated by technical progress.

Conections:	Male threated acc. ISO228
Maximum pressure:	16 bar
Temperature range:	0°C - 90°C

Specification

Herz recommend the use of spinning material, tefl ribbon-sealing paste to seal the connection between the pipe and the ball valve. Screw ball valve into the pipe end with a suitable assembly tool. ball valve does not need special maintenance.

Assembly and maintenance

Ball valve is used in pipe installations and in the sanitary systems as an isolation valve only. For use where one expects durability even if working conditions are exceeded.

Application

All details contained in this brochure appertain to that available at the time of printing and serve as information. We reserve the right to make changes in the event of technical advancements. The illustrations are understood to be symbolic representations and may therefore vary visually from the actual products. Any colour variations are dependent upon the printing technology used. Products may also vary according to the country. We reserve the right to make changes to technical specifications and functions. Please contact your nearest branch of HERZ with any questions.