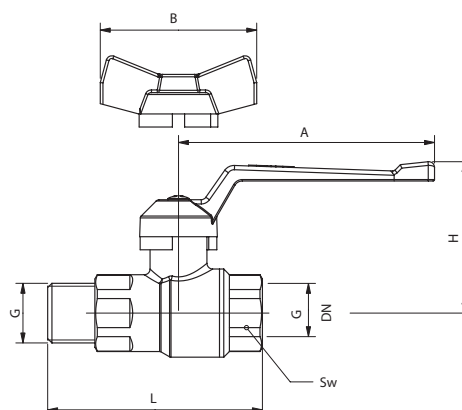
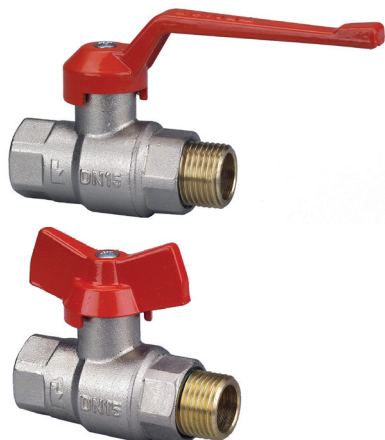


HERZ Ball valve with FxM connection

Datasheet
2160
Issue 0607



Model	Dim.	PN	DN	G	L	H	A	Sw	B	Model
1 2160 09	1/4"	63	8	1/4"	52	44	60	17	40	1 2160 19
1 2160 00	3/8"	63	10	3/8"	54	46	60	21	40	1 2160 10
1 2160 01	1/2"	50	15	1/2"	72	53	90	25	55	1 2160 11
1 2160 02	3/4"	50	20	3/4"	77	57	90	32	55	1 2160 12
1 2160 03	1"	50	25	1"	95	71	135	41	75	1 2160 13
1 2160 04	1 1/4"	40	32	1 1/4"	107	75	135	48	75	1 2160 14
1 2160 05	1 1/2"	40	40	1 1/2"	130	93	180	55		
1 2160 06	2"	40	50	2"	142	101	180	70		

Dimensions

Body: forged DZR brass acc. EN 12420 (corrosive resistant), nickel plated
 Connections: forged brass (corrosive resistant), nickel plated
 Ball: pressed brass, full bore, machined to a microsmooth finish, chrome plated
 Spindle: brass
 Handle: aluminium alloy, plastic red dipped

Construction

Connections:	Female thread acc. ISO228
Sealing elements:	PTFE - polytetrafluorethylen (ball and spindle)
Maximum pressure:	depends on dimensions (see table)
Maximum temperature:	150°C (water 110°C)

Specification

Use PTFE, Teflon ribbon or sealing paste to seal the connection between the pipe and the valve. Screw the pipe in and with a suitable assembly tool (Sw) not exceed the maximum torque. We recommend the valve is used in the index position, not in a mid position. The ball valve does not need special maintenance. At least twice per year exercise the valve.

Assembly and maintenance

We reserve the right to make modifications necessitated by technical progress.

The ball valve is used in installations as an isolation valve. For use in the central heating systems, energy systems, construction engineering and mechanical engineering. Generally can be used with all non aggressive fluids such as hot water, wash liquids, dry compressed air. For use where one expects durability even if the working conditions are exceeded.

Application

All details contained in this brochure appertain to that available at the time of printing and serve as information. We reserve the right to make changes in the event of technical advancements. The illustrations are understood to be symbolic representations and may therefore vary visually from the actual products. Any colour variations are dependent upon the printing technology used. Products may also vary according to the country. We reserve the right to make changes to technical specifications and functions. Please contact your nearest branch of HERZ with any questions.