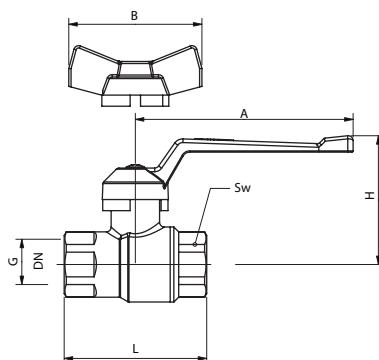


HERZ Ball Valve with red duraluminium handle

Datasheet
2100
Issue 0908



Model	Dim.	PN	DN	G	L	H	Sw	A
1 2100 09	1/4"	63	8	1/4"	43	44	17	60
1 2100 00	3/8"	63	10	3/8"	45	46	21	60
1 2100 01	1/2"	50	15	1/2"	59	53	25	90
1 2100 02	3/4"	50	20	3/4"	65	57	32	90
1 2100 03	1"	50	25	1"	80	71	41	135
1 2100 04	1 1/4"	40	32	1 1/4"	91	75	48	135
1 2100 05	1 1/2"	40	40	1 1/2"	104	93	55	180
1 2100 06	2"	40	50	2"	125	101	70	180

Model	Dim.	PN	DN	G	L	H	Sw	B
1 2100 19	1/4"	63	8	1/4"	43	41	17	40
1 2100 10	3/8"	63	10	3/8"	45	43	21	40
1 2100 11	1/2"	50	15	1/2"	59	49	25	55
1 2100 12	3/4"	50	20	3/4"	65	53	32	55
1 2100 13	1"	50	25	1"	80	56,5	41	75
1 2100 14	1 1/4"	40	32	1 1/4"	91	60	48	75

Dimensions

Body:	forged brass acc. EN 12420, nickel plated
End connection:	forged brass, nickel plated
Ball:	pressed brass, full bore, machined to a microsmooth finish, chrome plated
Spindle:	brass
Handle:	Aluminium alloy, plastic red dipped
Sealing elements:	PTFE- polytetrafluoretylen (ball and spindle)
Conections:	female thread acc. ISO228

Construction

Maximum pressure:	Depends on dimension (bar)
Maximum temperature:	150 °C (5 bar, water 0.5°C-110 °C, no steam)

Specification

We reserve the right to make modifications nessecitated by technical progress.

Use PTFE, Teflon ribbon or sealing paste to seal the connection between the pipe and the valve. Screw the pipe in and with a suitable assembly tool (Sw) not exceed the maximum torque. We recommend the valve is used in the index position, not in a mid position. The ball valve does not need special maintenance. At least twice per year exercise the valve.

Assembly and maintenance

Ball valve is used in installations as shut off-valve. For use in the central heating systems, energy systems, construction engineering and mechanical engineering. Generally can be used with all non aggressive fluids such as hot water, wash liquids, dry compressed air. For use where one expect durability even if we exceeds the working conditions.

Application

All details contained in this brochure appertain to that available at the time of printing and serve as information. We reserve the right to make changes in the event of technical advancements. The illustrations are understood to be symbolic representations and may therefore vary visually from the actual products. Any colour variations are dependent upon the printing technology used. Products may also vary according to the country. We reserve the right to make changes to technical specifications and functions. Please contact your nearest branch of HERZ with any questions.