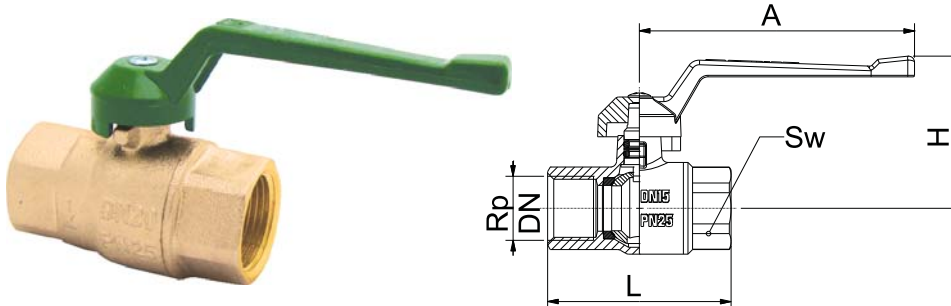


HERZ Ball Valve with green duralumunium handle for potable water

Datasheet
2100
Issue 0908



Model	Dim.	DN	Rp	L	H	A	SW
2 2100 01	1/2"	15	1/2"	60	50	90	25
2 2100 02	3/4"	20	3/4"	68	52	90	31
2 2100 03	1"	25	1"	81	72	135	39
2 2100 04	1 1/4"	32	1 1/4"	95	75	135	48
2 2100 05	1 1/2"	40	1 1/2"	106	90	180	55
2 2100 06	2"	50	2"	127	97	180	68

Dimensions

Body:	pressed DZR brass acc. EN 12420 (corrosive resistant)
Ball:	pressed brass, full bore, machined to a microsmooth finish, chrome plated
Ball seals:	PTFE
Spindle seals:	EPDM 70 ShA
Handle:	Aluminium alloy, green dipped
Sealing elements:	PTFE (ball), EPDM (spindle)
Conections:	female thread acc. ISO7-1

Construction

Maximum pressure:	25 bar
Maximum temperature:	85 °C

Operating data

For use in potable water installations. For use where one expects durability even if the working conditions.
We recommend the valve used in the fully open or closed position, not in mid positions. Operate the valve at least twice per year.

Application

We reserve the right to make modifications necessitated by technical progress.

Spinning material, Teflon ribbon-sealing paste to seal the connection between the pipe and ball valve end connections. Screw pipe end into end connections with suitable assembly tool (Sw) not to exceed the maximum torque moment. We recommend to use Ball valve in fully open or closed, not in mid position. The ball valve doesn't need any special maintenance.

Assembly and maintenance

All details contained in this brochure appertain to that available at the time of printing and serve as information. We reserve the right to make changes in the event of technical advancements. The illustrations are understood to be symbolic representations and may therefore vary visually from the actual products. Any colour variations are dependent upon the printing technology used. Products may also vary according to the country. We reserve the right to make changes to technical specifications and functions. Please contact your nearest branch of HERZ with any questions.