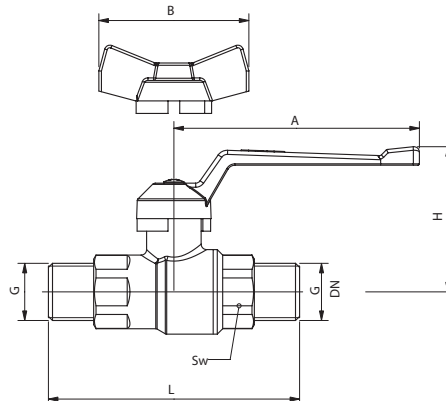
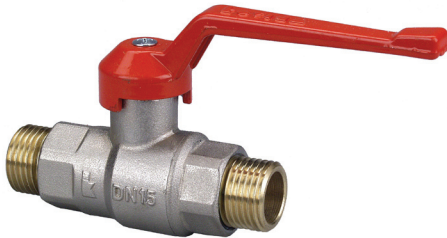


Ball valve with MxM connection

Datasheet
2180
Issue 0607



Model	Dim.	PN	DN	G	L	H	A	Sw	B	Model
1 2180 09	1/4"	63	8	1/4"	61	44	60	17	40	1 2180 19
1 2180 00	3/8"	63	10	3/8"	63	46	60	21	40	1 2180 10
1 2180 01	1/2"	50	15	1/2"	85	53	90	25	55	1 2180 11
1 2180 02	3/4"	50	20	3/4"	89	57	90	32	55	1 2180 12
1 2180 03	1"	50	25	1"	110	71	135	41	75	1 2180 13
1 2180 04	1 1/4"	40	32	1 1/4"	123	75	135	48	75	1 2180 14
1 2180 05	1 1/2"	40	40	1 1/2"	146	93	180	55		
1 2180 06	2"	40	50	2"	159	101	180	70		

Dimensions

Body:	forged DZR brass acc. EN 12420 (corrosive resistant), nickel plated
Connections:	forged brass (corrosive resistant), nickel plated
Ball:	pressed brass, full bore, machined to a microsmooth finish, chrome plated
Spindle:	brass
Handle:	aluminium alloy, plastic red dipped

Construction

Connections:	Female thread acc. ISO228
Sealing elements:	PTFE - polytetrafluorethylen (ball and spindle)
Maximum pressure:	depends on dimensions (see table)
Maximum temperature:	150°C (water 110°C)

Specification

Use PTFE, Teflon ribbon or sealing paste to seal the connection between the pipe and the valve. Screw the pipe in and with a suitable assembly tool (Sw) not exceed the maximum torque. We recommend the valve is used in the index position, not in a mid position. The ball valve does not need special maintenance. At least twice per year exercise the valve.

Assembly and maintenance

We reserve the right to make modifications necessitated by technical progress.

The ball valve is used in installations as an isolation valve. For use in the central heating systems, energy systems, construction engineering and mechanical engineering. Generally can be used with all non aggressive fluids such as hot water, wash liquids, dry compressed air. For use where one expects durability even if the working conditions are exceeded.

Application

All details contained in this brochure appertain to that available at the time of printing and serve as information. We reserve the right to make changes in the event of technical advancements. The illustrations are understood to be symbolic representations and may therefore vary visually from the actual products. Any colour variations are dependent upon the printing technology used. Products may also vary according to the country. We reserve the right to make changes to technical specifications and functions. Please contact your nearest branch of HERZ with any questions.