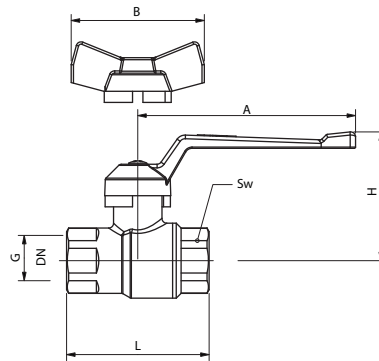


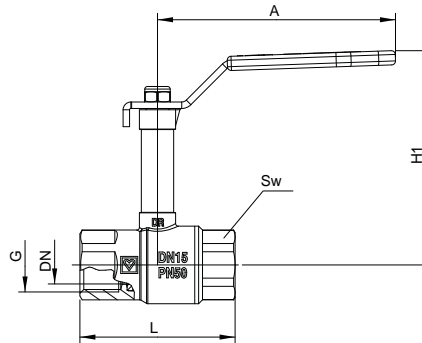
HERZ Ball Valve with red duraluminium handle

Datasheet
2190_01_26
Issue 0908

1 2190 01 - 1 2190 06



1 2190 21 - 1 2190 26



Model	Dim.	PN	DN	G	L	H	H1	A	Sw
1 2190 01	1/2"	50	15	1/2"	59	53		90	25
1 2190 02	3/4"	50	20	3/4"	65	56		90	32
1 2190 03	1"	50	25	1"	80,5	77		135	41
1 2190 04	1 1/4"	40	32	1 1/4"	91	81		135	48
1 2190 05	1 1/2"	40	40	1 1/2"	104	95		180	55
1 2190 06	2"	40	50	2"	125,5	101		180	70
1 2190 21	1/2"	25	15	1/2"	59		90	90	25
1 2190 22	3/4"	25	20	3/4"	64		93	90	32
1 2190 23	1"	25	25	1"	80.5		107	135	41
1 2190 24	1-1/4"	25	32	1-1/4"	91		111	135	48
1 2190 25	1-1/2"	25	40	1-1/2"	100		136	180	55
1 2190 26	2"	25	50	2"	118		144	180	68

Figure Dimension

We reserve the right to make modifications necessitated by technical progress.

Body: forged brass acc. EN 12420 (corrosive resistant)
 Connection: forged brass (corrosive resistant)
 Ball: pressed brass, full bore, machined to a microsmooth finish, chrome plated
 Spindle: brass
 Handle: spindle - Aluminium alloy, red dipped
 extended spindle - steel, galvanic Zn plated with red plastic cover
 Sealing elements: PTFE (ball and spindle)
 Conections: female thread acc. ISO228

Design

Maximum pressure:	Depends on dimension (bar)
Maximum temperature:	150 °C (5 bar, water 0.5°C-110 °C, no steam)

Operating data

Ball valve is used in installations as shut off-valve. For use in the central heating systems, energy systems, construction engineering and mechanical engineering. Generally can be used with all non aggressive fluids such as hot water, wash liquids, dry compressed air. For use where one expect durability even if we exceeds the working conditions. The valve (1 2190 21 - 1 2190 26) has an extended spindle to allow for insulation lagging after installation.

Application

Use PTFE, Teflon ribbon or sealing paste to seal the connection between the pipe and the valve. Screw the pipe int end with a suitable assembly tool (Sw) not exceed the maximum torque. We recommend the valve is used in the index position, not in a mid position. The ball valve does not need special maintenance. At least twice per year exercise the valve.

Instruction for assembly and maintenance

All details contained in this brochure appertain to that available at the time of printing and serve as information. We reserve the right to make changes in the event of technical advancements. The illustrations are understood to be symbolic representations and may therefore vary visually from the actual products. Any colour variations are dependent upon the printing technology used. Products may also vary according to the country. We reserve the right to make changes to technical specifications and functions. Please contact your nearest branch of HERZ with any questions.