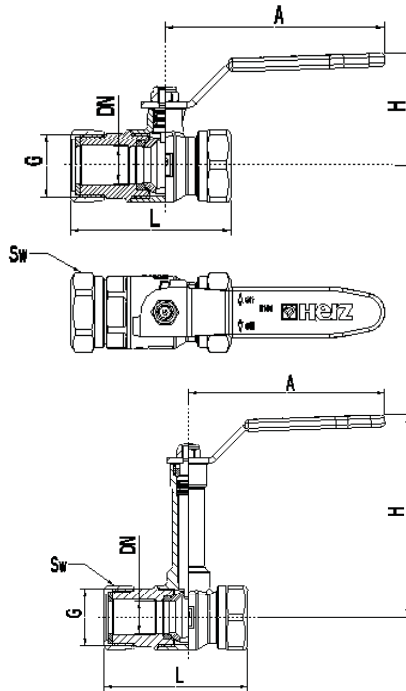


# HERZ Ball valve with flat sealed connection

Datasheet  
2190\_11\_36  
Issue 0509



Model	Dimension	PN	G	L	H	A	Sw
1 2190 11	DN15	16	G3/4"	67	47	90	30
1 2190 12	DN20	16	G1"	71	49	90	36
1 2190 13	DN25	16	G1-1/4"	82	61	135	46
1 2190 14	DN32	16	G1-1/2"	102	65	135	52
1 2190 15	DN40	16	G1-3/4"	112	84	180	60
1 2190 16	DN50	16	G2-3/8"	130	90	180	75
1 2190 31	DN15	16	G3/4"	67	94	90	30
1 2190 32	DN20	16	G1"	71	97	90	36
1 2190 33	DN25	16	G1-1/4"	82	110	135	46
1 2190 34	DN32	16	G1-1/2"	102	114	135	52
1 2190 35	DN40	16	G1-3/4"	112	135	180	60
1 2190 36	DN50	16	G2-3/8"	130	143	180	75

Figure Dimension

We reserve the right to make modifications necessitated by technical progress.

Body:	forged brass acc. EN 12420 (corrosive resistant)	<b>Design</b>
Ball:	pressed brass, full bore, machined to a microsmooth finish, chrome plated	
Spindle:	brass	
Handle:	steel, galvanic Zn plated with red plastic cover	

Flat sealed connection	<b>Connections</b>
------------------------	--------------------

Ball:	PTFE- polytetrafluoretylen	<b>Sealing elements</b>
Spindle:	EPDM	

Maximum pressure:	16 bar
Maximum temperature:	120 °C (5 bar)

<b>Operating data</b>
-----------------------

Ball valve is used in installations as shut off-valve. For use in the central heating systems, energy systems, construction engineering and mechanical engineering. Generally can be used with all non aggressive fluids such as hot water, wash liquids, dry compressed air. For use where one expect durability even if we exceeds the working conditions. The valves ends allow flat sealed connection of copper pipe.  
Option of valve with extended spindle to allow for insulation lagging after installation.

<b>Application</b>
--------------------

Use PTFE, Teflon ribbon or sealing paste to seal the connection between the pipe and the valve. Screw the pipe int end with a suitable assembly tool (Sw) not exceed the maximum torque. We recommend the valve is used in the index position, not in a mid position. The ball valve does not need special maintenance. At least twice per year exercise the valve.

<b>Instruction for assembly and maintenance</b>
---

All details contained in this brochure appertain to that available at the time of printing and serve as information. We reserve the right to make changes in the event of technical advancements. The illustrations are understood to be symbolic representations and may therefore vary visually from the actual products. Any colour variations are dependent upon the printing technology used. Products may also vary according to the country. We reserve the right to make changes to technical specifications and functions. Please contact your nearest branch of HERZ with any questions.

