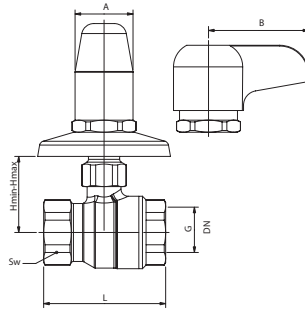


HERZ Ball valve for flush mounting with cap or handle

Datasheet
2202
Issue 0607



Model	Dim.	PN	DN	G	L	A	B	hmin	hmax	Sw
1 2202 01	1/2"	16	15	1/2"	59	24		25	40	25
1 2202 02	3/4"	16	20	3/4"	65	24		30	45	32
1 2202 11	1/2"	16	15	1/2"	59		40	25	40	25
1 2202 12	3/4"	16	20	3/4"	65		40	30	45	32

Dimensions

Body: forged brass acc. EN 12420
 Ball: pressed brass, full bore, chrome plated
 Ball seals: PFTE
 Spindle: brass
 Spindle seals: EPDM
 Cap or handle: plastic, chrome plated

Construction

Connections:	Female thread acc. ISO228
Maximum pressure:	16 bar
Minimum temp.:	-10°C, water 0,5°C
Maximum temperature:	90°C (short period 110°C)

Specification

Herz recommend the use of spinning material, teflon ribbon-sealing paste to seal the connection between the pipe and ball valve. Screw the pipe end into the ball valve with a suitable assembly tool do not exceed the maximum torque. The ball valve doesn't need special maintenance.

Assembly and maintenance

The ball valve is used in water installations as an isolation valve. It's also used in the central heating systems, energy systems, construction engineering and mechanical engineering. Generally can be used with all non aggressive fluids such as hot water, wash liquids, dry compressed air. For use where one expects durability even if working conditions are exceeded.

Application

All details contained in this brochure appertain to that available at the time of printing and serve as information. We reserve the right to make changes in the event of technical advancements. The illustrations are understood to be symbolic representations and may therefore vary visually from the actual products. Any colour variations are dependent upon the printing technology used. Products may also vary according to the country. We reserve the right to make changes to technical specifications and functions. Please contact your nearest branch of HERZ with any questions.

We reserve the right to make modifications necessitated by technical progress.