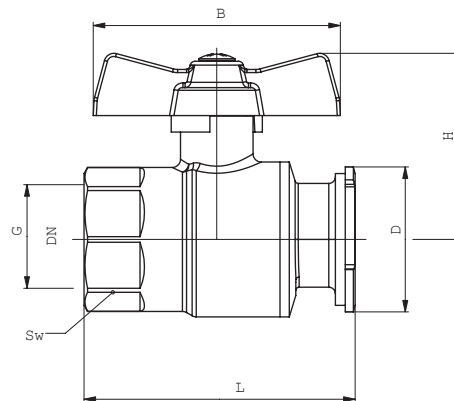


# HERZ Ball valve for pumps

Datasheet  
2269  
Issue 0607



Model	Dimension	PN	DN	G	L	H	A	D	Sw
1 2269 03	1"	16	20	1"	82	56	75	44	39

## Dimensions

Body:	forged brass acc. EN 12420, nickel plated
End connections:	forged brass, nickel plated
Ball:	pressed brass, full bore, machined to a microsmooth finish, chrome plated
Spindle:	brass
Return valve:	forged brass acc. EN 12420, nickel plated
Handle:	aluminium alloy, plastic red dipped

## Construction

Connections:	Female thread acc. ISO228
Sealing elements:	PTFE (ball, spindle) and EPDM (non return valve)
Maximum pressure:	16 bar
Temperature range:	-30°C to 150°C (water 0,5°C to 110°C)
Medium:	water, oil, air,... (non aggressive mediums)

## Specification

Herz recommend the use of spinning material, teflon ribbon-sealing paste to seal the connection between the pipe and ball valve. Mount the ball valve with built-in non-return valve in the flow direction (direction is marked on the non-return valve) after the circulating pump of the central heating. Circulating pump is mounted with the "holland" nut G1-1/2", which is fitted on the flange of the valve. In the case of the closing, circuit the non-return valve can be opened with the screw, which must be put in position "I". This enables the gravitational heating. When mounting please use the proper mouting tools, which are adapted to the sizes of the valve. The ball valve does not need special maintenance.

## Assembly and maintenance

We reserve the right to make modifications necessitated by technical progress.

The ball valve is used as a closing armature in central heating installations. The armature prevents thermo syphonic circulation of the water from the boiler. Ball valve with built-in non-return valve is mounted in the heating branch directly after the circulating pump of the central heating. The ball valve is used only in 2 basic positions: open and closed.

## Application

All details contained in this brochure appertain to that available at the time of printing and serve as information. We reserve the right to make changes in the event of technical advancements. The illustrations are understood to be symbolic representations and may therefore vary visually from the actual products. Any colour variations are dependent upon the printing technology used. Products may also vary according to the country. We reserve the right to make changes to technical specifications and functions. Please contact your nearest branch of HERZ with any questions.