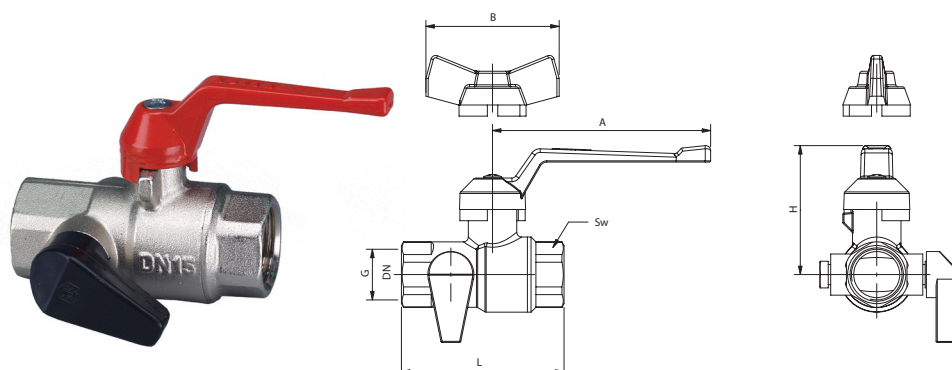


Ball valve with drain cock and plug

Datasheet
2402
Issue 0607



Model	Dim.	PN	DN	G	Gh	L	H	Sw	A	B	Model
1 2402 01	1/2"	40	15	1/2"	1/8"	75	46	26	90	55	1 2402 11
1 2402 02	3/4"	40	20	3/4"	1/8"	80	48	32	90	55	1 2402 12
1 2402 03	1"	40	25	1"	1/8"	90	72	41	135	75	1 2402 13
1 2402 04	1 1/4"	40	32	1 1/4"	1/8"	110	75	50	135	75	1 2402 14
1 2402 05	1 1/2"	25	40	1 1/4"	1/8"	106	85	55	182		

Dimensions

Body:	pressed brass acc. EN 12420, nickel plated
Connection:	pressed brass acc. EN 12420, nickel plated
Ball:	pressed brass, chrome plated
Ball seals:	PTFE
Spindle:	brass
Spindle seals:	NBR 70ShA
Handle drain cock:	PVC
Handle:	aluminium alloy, plastic red dipped

Construction

Connections:	Female thread acc. ISO 228
Maximum pressure:	40 bar (depends on dimension)
Minimum temperature:	-10°C
Maximum temperature:	90°C (short period 110°C)

Specification

Herz recommend the use of spinning material, Teflon ribbon-sealing paste to seal the connection between the pipe and ball valve. Screw the pipe end into end connections with a suitable assembly tool (Sw) do not exceed the maximum torque. We recommend the valve use in fully open or closed, not in mid positions. At least twice per year excersise the valve.

Assembly and maintenance

We reserve the right to make modifications necessitated by technical progress.

The ball valve is in water installations as an isolation valve. It's also used in the central heating systems, energy systems, construction engineering and mechanical engineering. Pressure gauge (G) can be used for a drain. For use where one expects durability even if working conditions are exceeded.

Application

All details contained in this brochure appertain to that available at the time of printing and serve as information. We reserve the right to make changes in the event of technical advancements. The illustrations are understood to be symbolic representations and may therefore vary visually from the actual products. Any colour variations are dependent upon the printing technology used. Products may also vary according to the country. We reserve the right to make changes to technical specifications and functions. Please contact your nearest branch of HERZ with any questions.