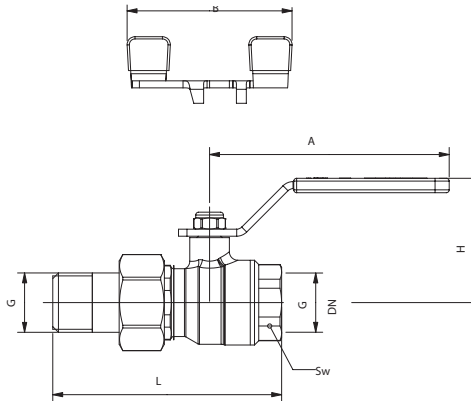
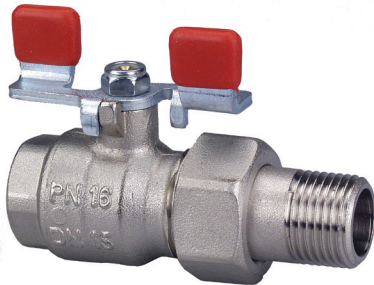


# Ball Valve EURO with tailpiece (O-Ring) steel locking handle or lever

Datasheet  
2911  
Issue 0607



Model	Dim.	PN	DN	G	R	L	H	A	B	Sw1	Sw2
1 2911 01	1/2"	16	15	1/2"	1/2"	77	44	85		30	25
1 2911 02	3/4"	16	20	3/4"	3/4"	89	48	85		36	31
1 2911 03	1"	16	25	1"	1"	106	57	115		46	39
1 2911 11	1/2"	16	15	1/2"	1/2"	77	60		42	30	25
1 2911 12	3/4"	16	20	3/4"	3/4"	89	60		42	36	31
1 2911 13	1"	16	25	1"	1"	106	85		63	46	39

## Dimensions

Body:	pressed brass acc. EN 12420, nickel plated
Ball:	pressed brass, full bore, chrome plated
Ball seals:	PTFE
Spindle:	brass
Spindle seals:	NBR 70ShA
Tail seal:	EPDM 80ShA
Handle:	steel with plastic cover

## Construction

Connections:	Female/Male thread acc. ISO228
Maximum pressure:	16 bar
Maximum temperature:	90°C (short period 110°C)
Minimum temperature:	-10°C, water 0,5°C
Medium:	unaggressive type (water, oil, air,...)

## Specification

Herz recommend the use of spinning material, teflon ribbon-sealing paste to seal the connection between the pipe and ball valve.

Screw the pipe into ball valve with suitable assembly tool not to exceed the maximum torque. Ball valve does not need special maintenance.

## Assembly and maintenance

We reserve the right to make modifications necessitated by technical progress.

The ball valve is used in pipe installations as an isolation valve. It's used in the central heating systems, energy systems, construction engineering and mechanical engineering. We use it in all places where durability even if working conditions are exceeded.

## Application

All details contained in this brochure pertain to that available at the time of printing and serve as information. We reserve the right to make changes in the event of technical advancements. The illustrations are understood to be symbolic representations and may therefore vary visually from the actual products. Any colour variations are dependent upon the printing technology used. Products may also vary according to the country. We reserve the right to make changes to technical specifications and functions. Please contact your nearest branch of HERZ with any questions.