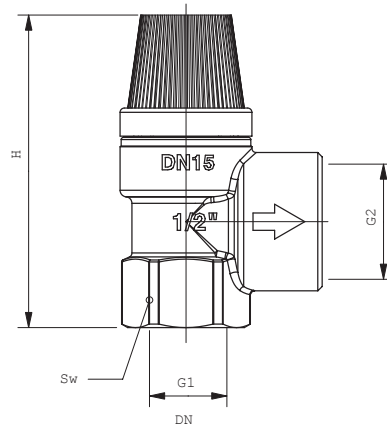


# HERZ Pressure Relief valve

Datasheet  
261x  
Valid 0607



Model	PN	DN	G1	G2	L	H	Sw	P(kW)	Weight
1 2611 01	2,5	15	1/2"	3/4"	32	72	27	75	0.175
1 2612 01	3	15	1/2"	3/4"	32	72	27	75	0.175
1 2613 01	6	15	1/2"	3/4"	32	72	27	75	0.175

## Dimension

Body: forged brass acc. EN 12420  
Spring: spring steel  
Diaphragm: EPDM  
Handle: PA, red colour

## Construction

Connections:	Female thread acc. ISO228
Nominal pressure:	see table
Temperature range:	0 - 110°C
Medium:	water (no steam)

## Specification

Herz recommend the can use of spinning material, Teflon ribbon-sealing paste to seal the connection between the pipe and the safety relief valve. Screw the safety relief valve on to installation pipe end with a suitable assembly tool which fits Sw (27mm) on body. Release direction (from higher pressure to atmosphere) is indicated on body with an arrow which must be taken into account when installing the relief valve. here must be no isolation valves installed between the safety relief valve and the protected heater (boiler). We recommend that at least once per year the relief valve is operated by rotating plastic cap for a minimum of 90 degrees. The relief valve doesn't need any special maintenance.

## Assembly and maintenance

We reserve the right to make modifications necessitated by technical progress.

Suitable for heating systems to protect boilers against increased pressure. Protects installations against pressure higher than PN. Relief pressure is equal PN. Generally can be used with non aggressive fluids such as hot water, compressed air, fuel, lubricating oil. . .

## Application

All details contained in this brochure appertain to that available at the time of printing and serve as information. We reserve the right to make changes in the event of technical advancements. The illustrations are understood to be symbolic representations and may therefore vary visually from the actual products. Any colour variations are dependent upon the printing technology used. Products may also vary according to the country. We reserve the right to make changes to technical specifications and functions. Please contact your nearest branch of HERZ with any questions.